

ADC EcoDry ES-3030

30-lb x 2 Capacity Coin Stack Dryer

Standard Features:

- 30-lb. x 2 Capacity
- Single Phase Reversing
- Self-Diagnostic Microprocessor Control
- 100% Axial Airflow
- Completely Sealed Basket
- Non-Perforated Ribs and Basket
- Dual-Paned Door Glass
- Four-Point Roller Support System

Optional Features:

- Stainless Steel Front, Cabinet & Basket
- Residual Moisture Control (Coin RMC)
- S.A.F.E. (Sensor Activated Fire Extinguishing System)
- Card Ready



ES-3030 Coin Stack Dryer

Why Purchase ADC EcoDry?

100% Axial Airflow (standard)

EcoDry tumblers incorporate a 100% axial airflow design with a completely sealed basket. This ensures the most efficient drying available on the market today without sacrificing dry times.

Four-Point Roller Support System (standard)

EcoDryers are designed with a four-point roller support system, eliminating costly repairs and downtime due to trunnion failures.

Single Phase Reversing (standard)

Single Phase Reversing is a standard feature on the ES-3030. What once was an expensive option requiring an upgrade from single phase to three phase electrical service is now available in single phase. A reversing tumbler ensures that the load doesn't "rope" or "ball up", providing a quicker, more even drying process.

Available Option: Residual Moisture Control

EcoDry utilizes a unique Residual Moisture Control (Coin RMC) sensing system to measure the presence of moisture in the load. The patented system will save the coin laundry owner utility costs as it senses when the load is dry even if there is time left on the coin meter. Coin RMC reduces the heat input while it continues to run the tumbler and provides the end-user with dry, warm clothes. Coin RMC ensures full revenue for the laundry owner while at the same time reducing utility costs.

Your local ADC independent authorized distributor



ADC EcoDry ES-3030

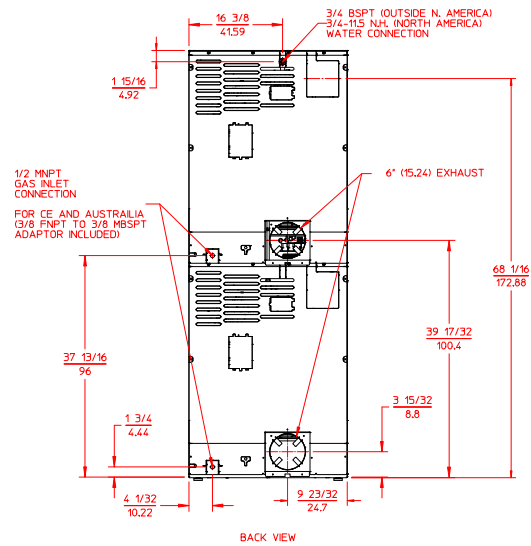
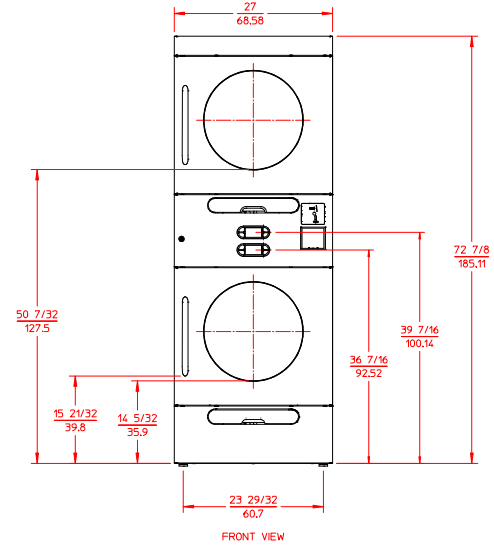
ES-3030 Specifications

| | |
|---|--|
| Tumbler Capacity (dry weight per pocket) | 30 lbs. (13.61 kg) x 2 |
| Tumbler Diameter | 25-3/4" (65.41 cm) |
| Tumbler Depth | 34" (86.36 cm) |
| Tumbler Volume per pocket | 10-1/4 cu ft (290.25 L) |
| Tumbler/Drive Motor per pocket | 1/4 hp (0.19 kW) |
| Blower/Fan Motor per pocket | 1/2 hp (0.37 kW) |
| Door Opening (Diameter) | 19-3/8" (49.21 cm) |
| Door Sill Height top pocket / bottom pocket | 49" (124.46 cm) 13" (33.02 cm) |
| S.A.F.E. Water Connection | North America Outside North America |
| | 3/4"-11.5 NH 3/4" B.S.P.T. |
| Dryers per 20'/40' Container | 14 / 28 |
| Dryers per 48'/53' Truck | 36 / 38 |
| Width | 27" (68.58 cm) |
| Depth | 40-19/32" (103.12 cm) |
| Height | 72-7/8" (185.11 cm) |
| Airflow per pocket | 310 cfm (8.78 cmm) |
| Exhaust Connection | 6" (15.24 cm) |
| GAS MODEL: | |
| Approx. Net Wt. | 535 lbs (242.67 kg) |
| Approx. Ship Wt. | 560 lbs (254.01 kg) |
| Heat Input | 52,500 btu/hr (13,230 kcal/hr) |
| Inlet Pipe Connection per pocket (CE and Australia Only) | 1/2" M.N.P.T. 3/8" M.B.S.P.T. |

* Not available in electric or steam models.

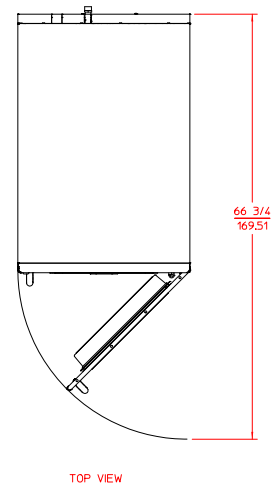
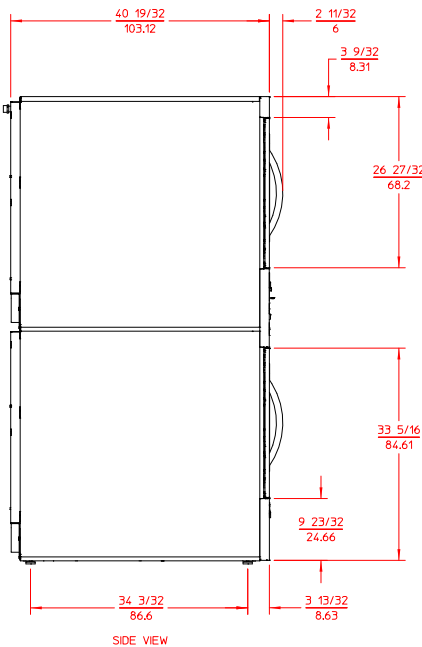
** Specifications in parentheses are metric equivalents.

2/12/09



Electrical Service Specifications

| SERVICE VOLTAGE | PHASE | WIRE SERVICE | APPROX AMP DRAW | | CIRCUIT BREAKER |
|-----------------|-------|--------------|-----------------|-------|-----------------|
| | | | 60 Hz | 50 Hz | |
| GAS | | | | | |
| 120 | 1Ø | 2 | 8.9 | -- | 15 |
| 200 | 1Ø | 2 | 7.7 | 7.8 | 15 |
| 208 | 1Ø | 2 | 7.6 | -- | 15 |
| 220 | 1Ø | 2 | 7.3 | 7.4 | 15 |
| 230 | 1Ø | 2 | -- | 7.3 | 15 |
| 240 | 1Ø | 2 | 7.2 | 7.0 | 15 |



88 Currant Road Fall River, MA 02720-4781 • 508.678.9000 • Fax: 508.678.9447 • Email: sales@amdry.com

* Specifications are subject to change without notice or obligation. Contact ADC for dimensions not shown or for clarification.

www.amdry.com

P/N 450603.A 02/10